



Nantucket

S I N K S

Plymouth Collection
Granite Composite Sink Installation

REQUIRED TOOLS



Topmount Installation



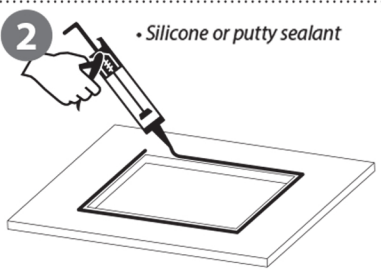
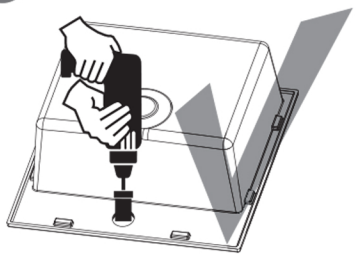
DANGER!
CUTTING EDGES



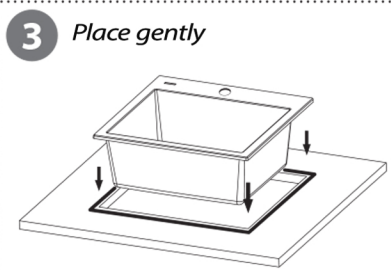
WEAR PROTECTIVE GLOVES



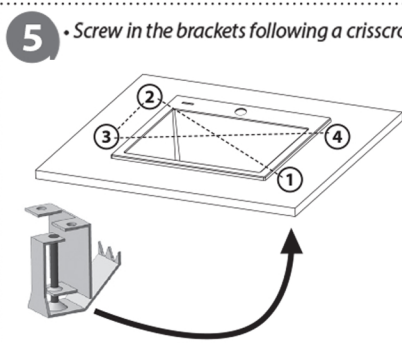
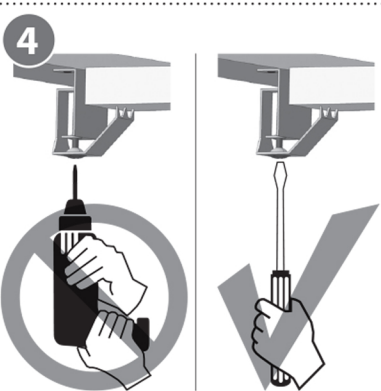
1 • Diamond coated core bit Ø 35-37 mm



2 • Silicone or putty sealant



3 Place gently



5 • Screw in the brackets following a crisscross pattern.

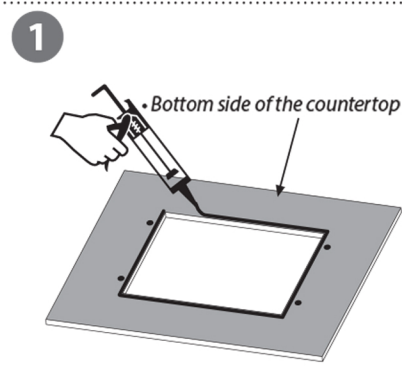
Undermount Installation



DANGER!
CUTTING EDGES

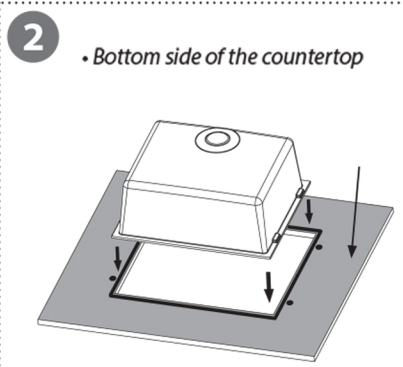


WEAR PROTECTIVE GLOVES

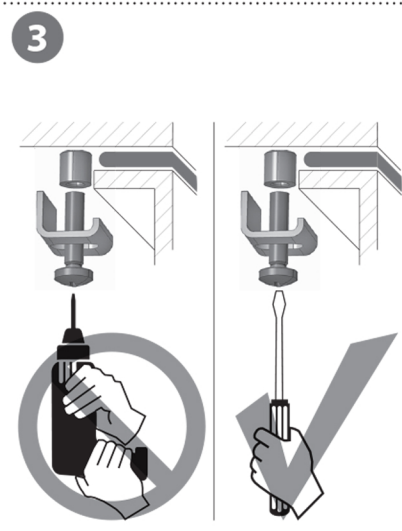


1 • Bottom side of the countertop

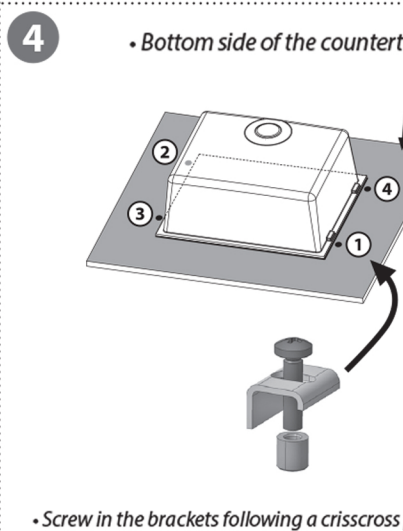
• Silicone o masticse sigillante.
• Silicone or putty sealant.



2 • Bottom side of the countertop



3



4 • Bottom side of the countertop

• Screw in the brackets following a crisscross pattern.

*Clips may or may not be included depending on sink model