



Pro-Series
Collection
Prep Station Sinks
"Stainless Steel"



V24.7



Steppe3918 (Shown)

Products

- **Zero Radius ZR** (90 degree edges)

ZR-PS-3018-16

ZR-PS-3220-16

ZR-PS-3620-16

- **Small Radius SR** (15 degree rounded edges)

SR-PS-1919-16

SR-PS2-2818-16

SR-PS-3018-16

SR-PS-3220-16

SR-PS-3220-OSD

SR-PS-3219-DE-16

SR-PS-3219-OS-16

SR-PS-3620-OSD

SR-PS-3620-16

SR-PS-4220-16

SR4419-16-DB

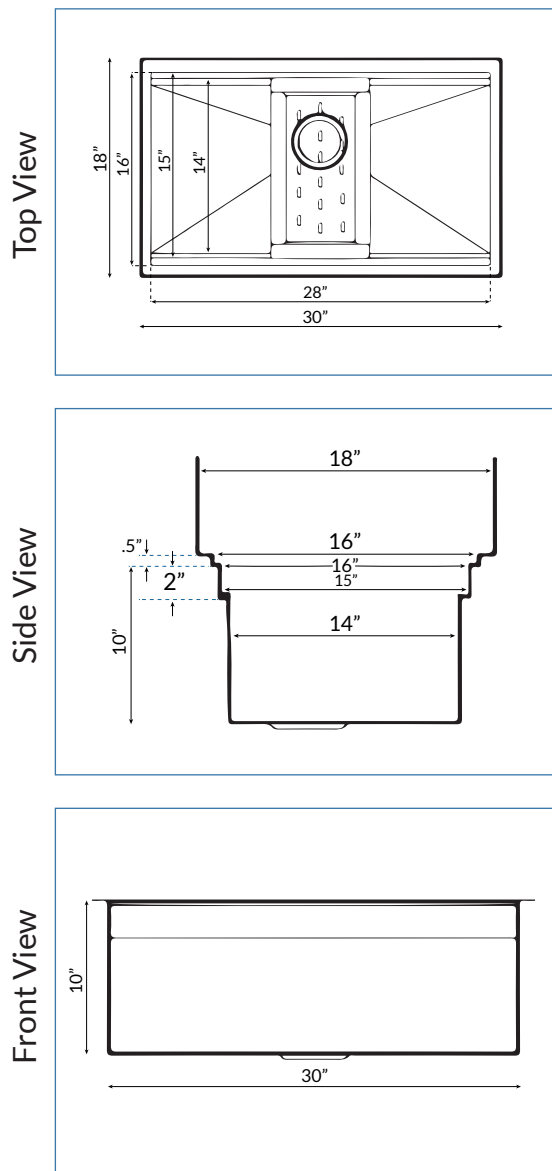
SR-PS-6020-16

- **Apron Sink**

AP-PS-3221-16

- **Studio Dearborn - Collab Sink**

Steppe3918



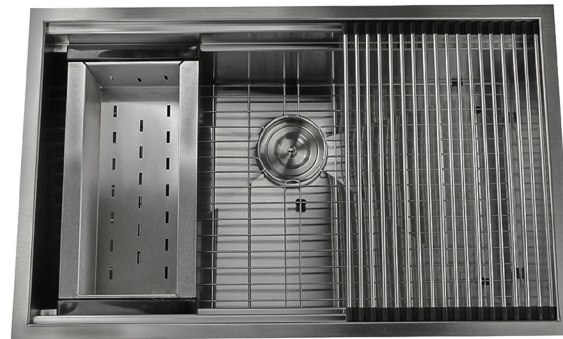
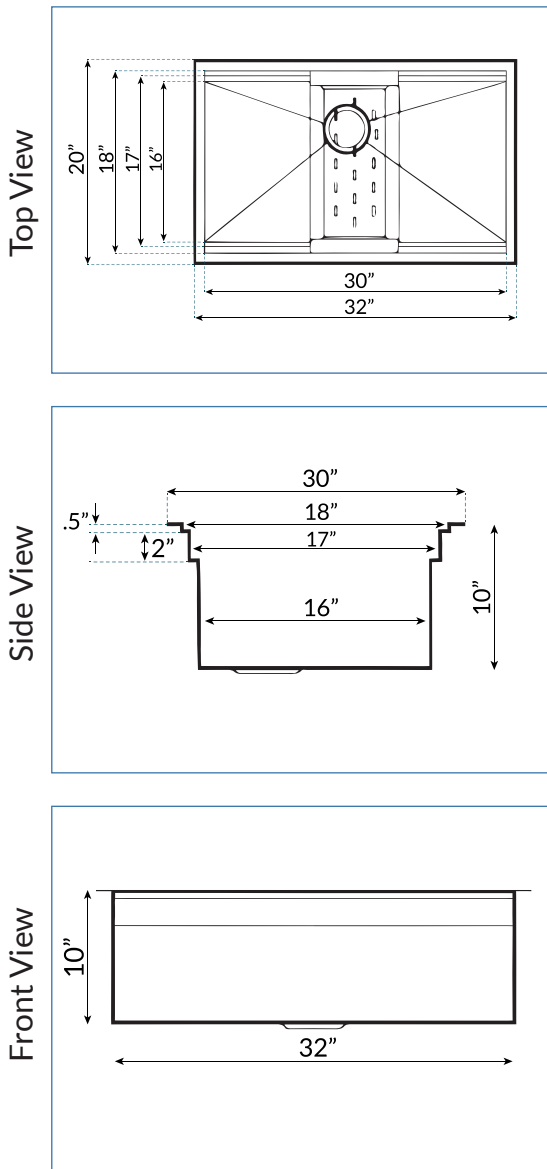
Product Information:

- **16 Gauge** laser welded corners
- **Material:** 304 Stainless Steel
- **Installation:** Undermount
- **Shape:** Rectangular
- **Bowl Type:** Single
- **Lux Accessory Package:** Included

Dimensions:

Actual dimensions may vary by 1/4".

- **Exterior Dimensions:** 30" x 18"
- **Interior Dimensions:** 28" x 14"
- **Bowl Depth:** 10"
- **Minimum Cabinet Size:** 33"



ZERO RADIUS

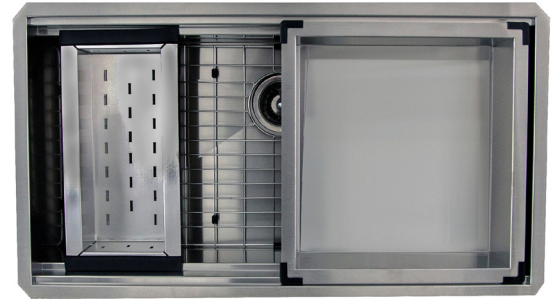
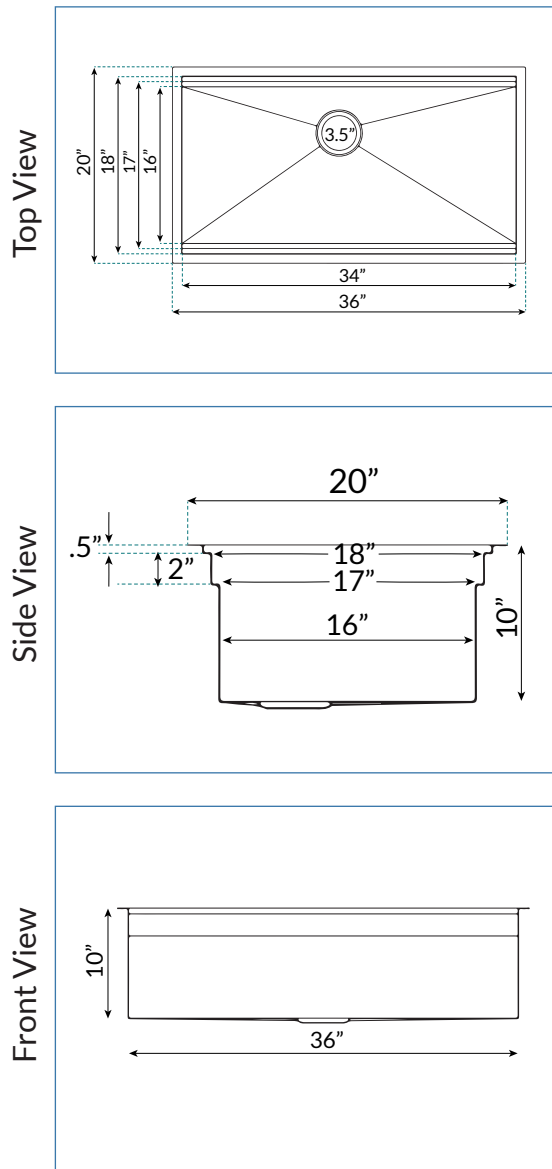
Product Information:

- **16 Gauge** laser welded corners
- **Material:** 304 Stainless Steel
- **Installation:** Undermount
- **Shape:** Rectangular
- **Bowl Type:** Single
- **Lux Accessory Package:** Included

Dimensions:

Actual dimensions may vary by 1/4".

- **Exterior Dimensions:** 32" x 20"
- **Interior Dimensions:** 30" x 16"
- **Bowl Depth:** 10"
- **Minimum Cabinet Size:** 36"
- **Optional Accessories:** CB-S18121 Cutting Board



Product Information:

- 16 Gauge laser welded corners
- Material: 304 Stainless Steel
- Installation: Undermount
- Shape: Rectangular
- Bowl Type: Single
- Lux Accessory Package: Included
- Rinse Tray RT1718: Included

Dimensions:

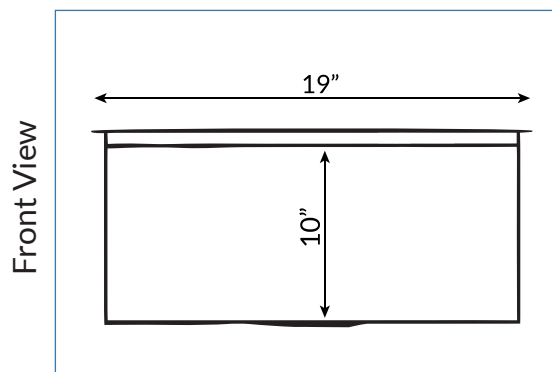
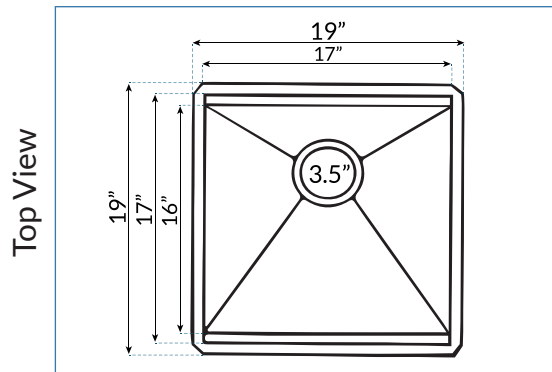
Actual dimensions may vary by 1/4".

- Exterior Dimensions: 36" x 20" x 10"
- Interior Dimensions: 34" x 16"
- Bowl Depth: 10"
- Minimum Cabinet Size: 40"
- Optional Accessories: CB-S18121 Cutting Board



AP-PS-3221-16 (Shown)

SMALLER RADIUS



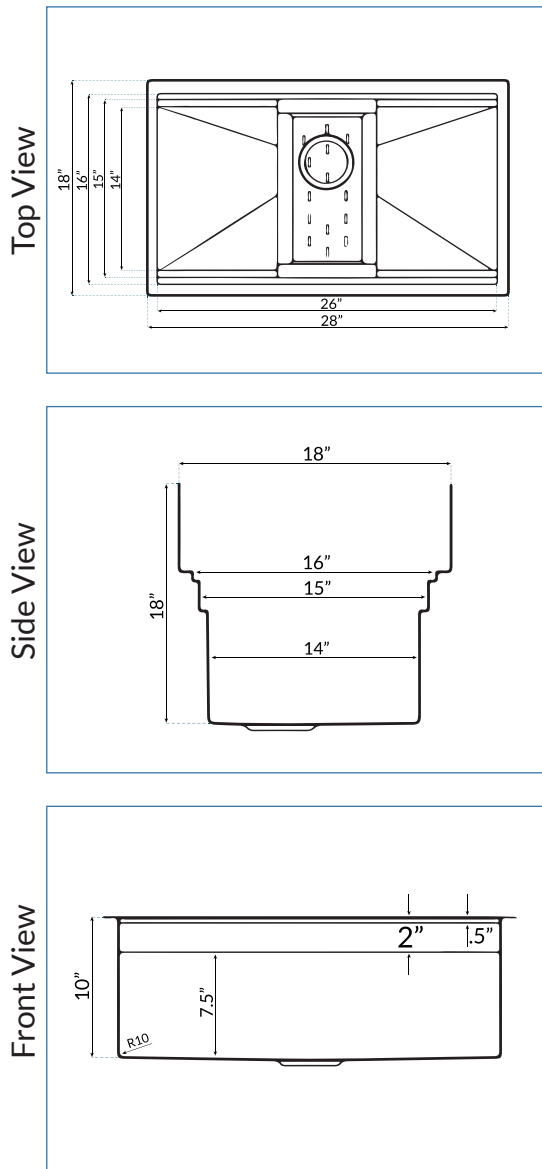
Product Information:

- **16 Gauge** laser welded corners
- **Material:** 304 Stainless Steel
- **Installation:** Undermount
- **Shape:** Square
- **Bowl Type:** Single
- **Lux Accessory Package:** Included

Dimensions:

Actual dimensions may vary by 1/4".

- **Exterior Dimensions:** 19" x 19"
- **Interior Dimensions:** 17" x 17"
- **Bowl Depth:** 10"
- **Minimum Cabinet Size:** 21"



SMALL RADIUS

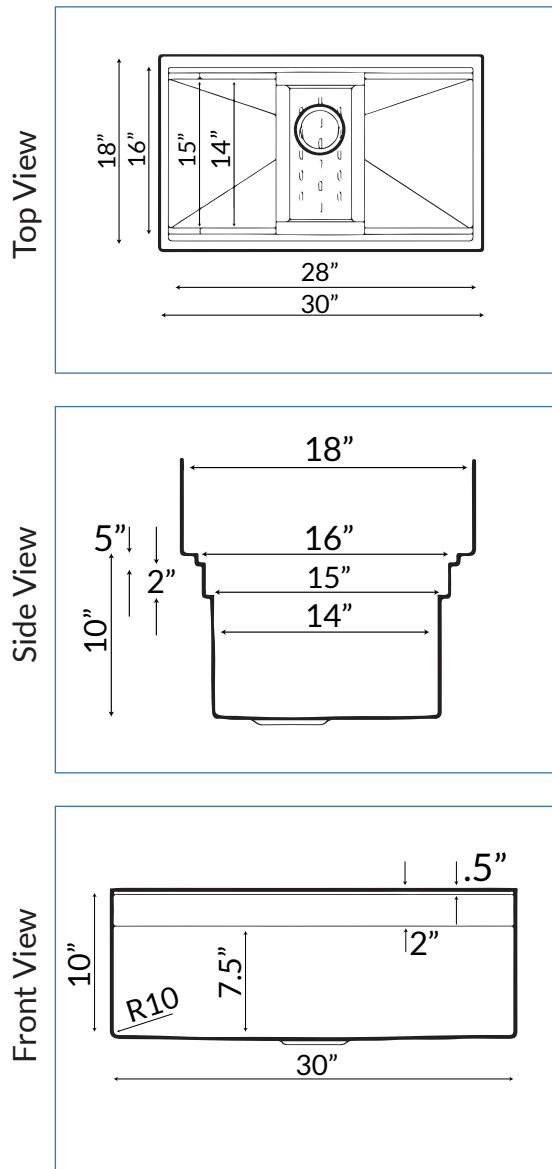
Product Information:

- **16 Gauge** laser welded corners
- **Material:** 304 Stainless Steel
- **Installation:** Undermount
- **Shape:** Rectangular
- **Bowl Type:** Single
- **Lux Accessory Package:** Included

Dimensions:

Actual dimensions may vary by 1/4".

- **Exterior Dimensions:** 28" x 18"
- **Interior Dimensions:** 26" x 14"
- **Bowl Depth:** 10"
- **Minimum Cabinet Size:** 30"



Product Information:

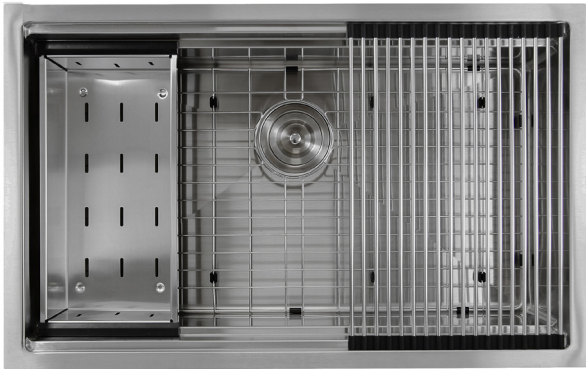
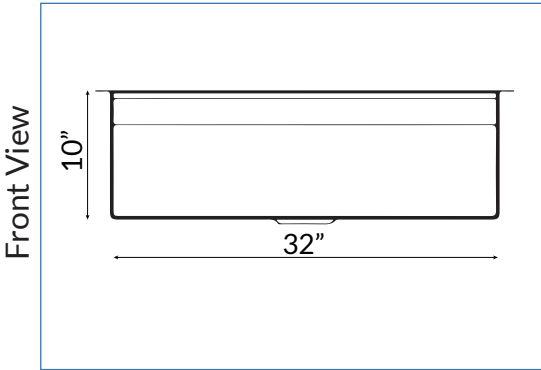
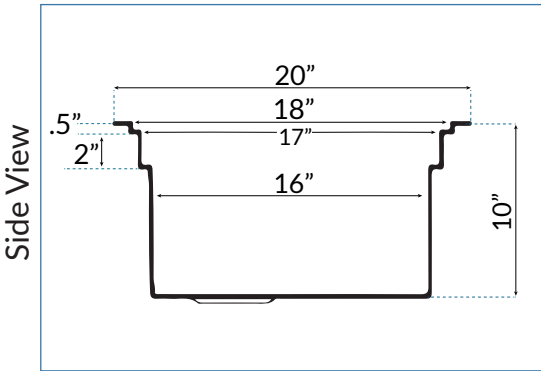
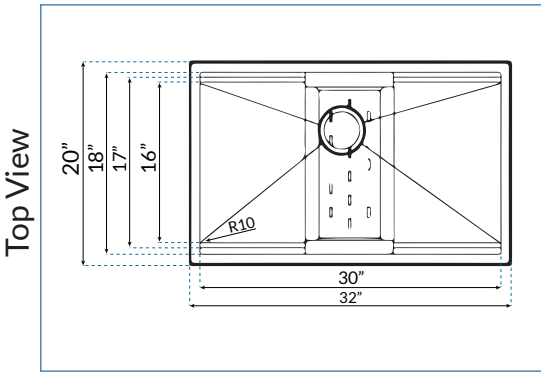
- 16 Gauge laser welded corners
- Material: 304 Stainless Steel
- Installation: Undermount
- Shape: Rectangular
- Bowl Type: Single
- Lux Accessory Package: Included

Dimensions:

Actual dimensions may vary by 1/4".

- Exterior Dimensions: 30" x 18"
- Interior Dimensions: 28" x 14"
- Bowl Depth: 10"
- Minimum Cabinet Size: 33"

SMALL RADIUS



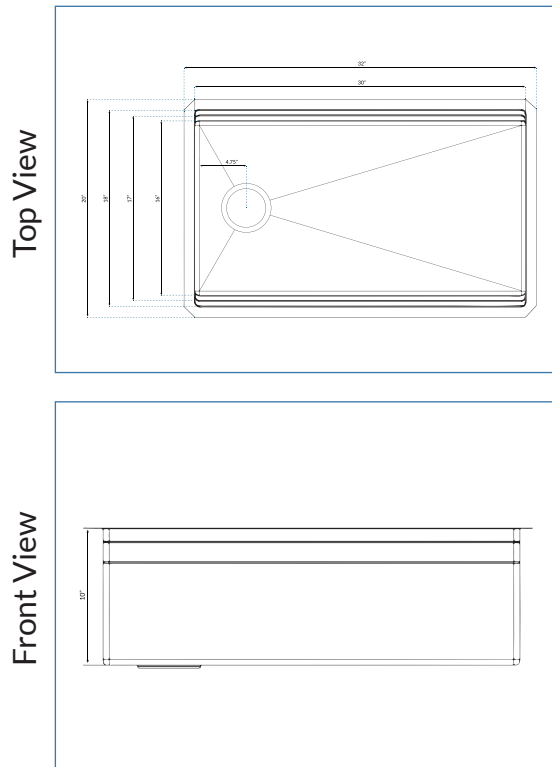
Product Information:

- 16 Gauge laser welded corners
- Material: 304 Stainless Steel
- Installation: Undermount
- Shape: Rectangular
- Bowl Type: Single
- Lux Accessory Package: Included

Dimensions:

Actual dimensions may vary by 1/4".

- Exterior Dimensions: 32" x 20" x 10"
- Interior Dimensions: 30" x 16"
- Bowl Depth: 10"
- Minimum Cabinet Size: 36"
- Optional Accessories: CB-S18121 Cutting Board



“Fully Reversible”

Product Information:

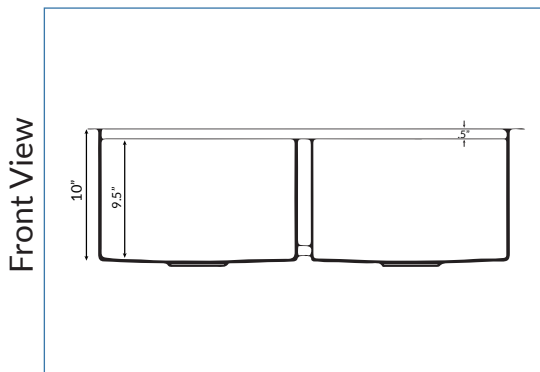
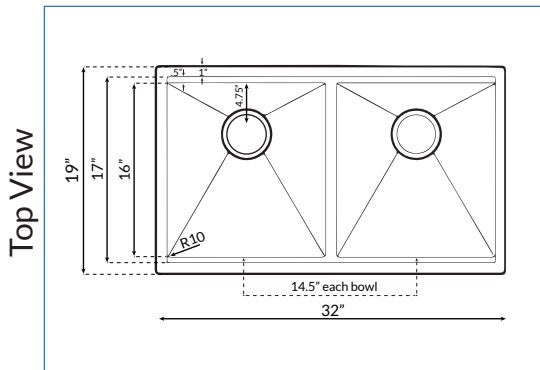
- 16 Gauge laser welded corners
- Material: 304 Stainless Steel
- Installation: Undermount
- Shape: Rectangular
- Bowl Type: Single
- Lux Accessory Package: Included

Dimensions:

Actual dimensions may vary by 1/4”.

- Exterior Dimensions: 32” x 20” x 10”
- Interior Dimensions: 30” x 16”
- Bowl Depth: 10”
- Minimum Cabinet Size: 36”
- Optional Accessories: CB-S18121 Cutting Board

SMALLER RADIUS



Product Information:

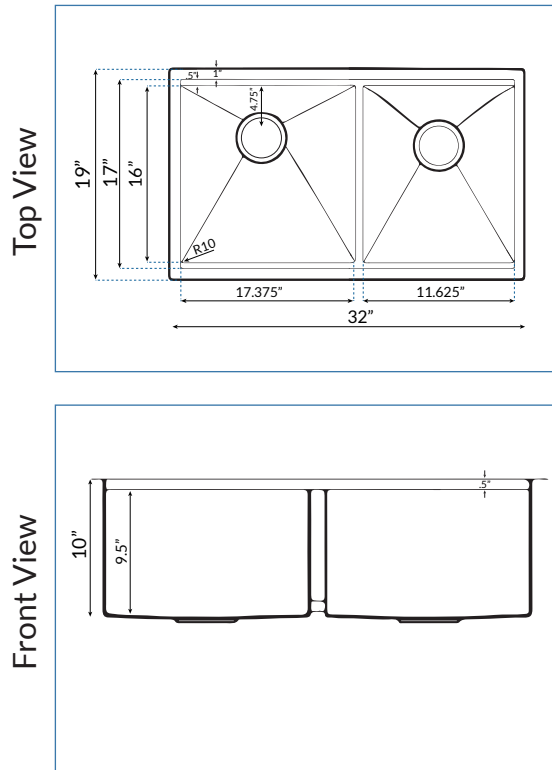
- 16 Gauge laser welded corners
- Material: 304 Stainless Steel
- Installation: Undermount
- Shape: Rectangular
- Bowl Type: Double
- Lux Accessory Package: Included

Dimensions:

Actual dimensions may vary by 1/4".

- Exterior Dimensions: 32" x 19" x 10"
- Interior Dimensions: 30" x 16";
14.5" x 16" (Each Bowl)
- Bowl Depth: 9.5"
- Minimum Cabinet Size: 36"

SMALL RADIUS



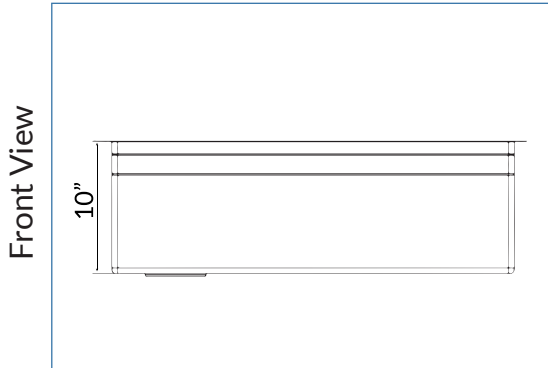
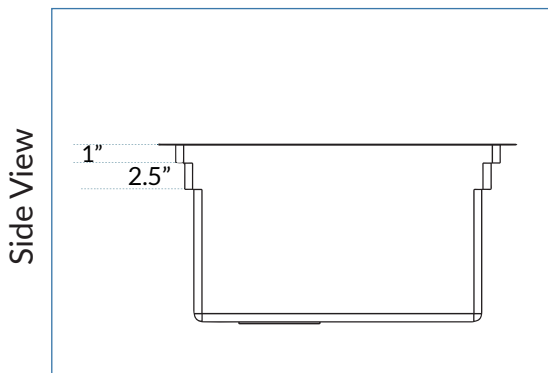
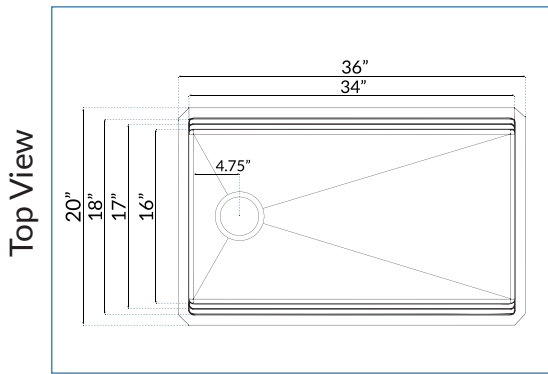
Product Information:

- 16 Gauge laser welded corners
- Material: 304 Stainless Steel
- Installation: Undermount
- Shape: Rectangular
- Bowl Type: Double
- Lux Accessory Package: Included

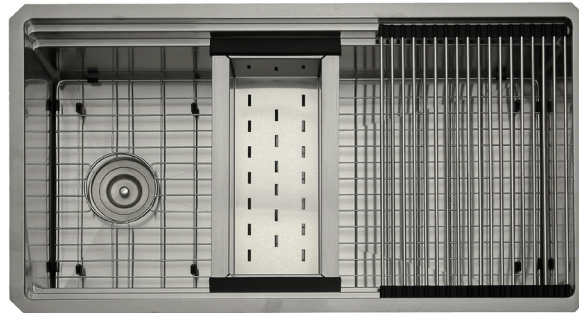
Dimensions:

Actual dimensions may vary by 1/4".

- Exterior Dimensions: 32" x 19" x 10"
- Interior Dimensions: 30" x 16"
L: 17.25" x 16"
S: 11.5" x 16"
- Bowl Depth: 9.5"
- Minimum Cabinet Size: 36"



Offset Drain



"Fully Reversible"

SMALLEST RADIUS

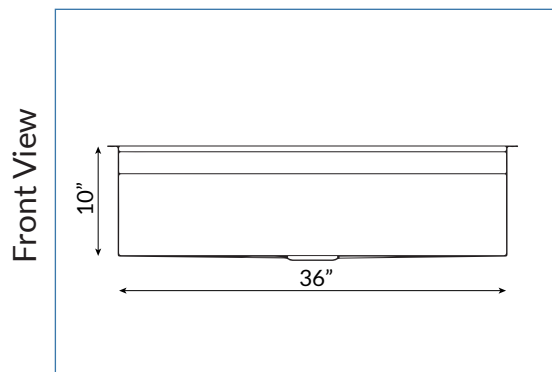
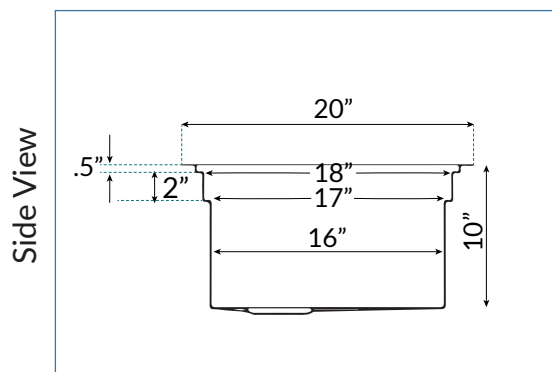
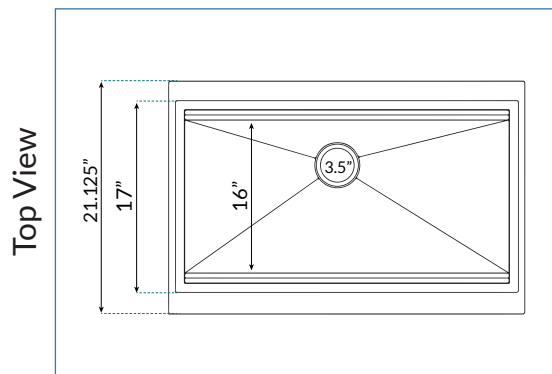
Product Information:

- 16 Gauge laser welded corners
- Material: 304 Stainless Steel
- Installation: Undermount
- Shape: Rectangular
- Bowl Type: Single
- Lux Accessory Package: Included

Dimensions:

Actual dimensions may vary by 1/4".

- Exterior Dimensions: 36" x 20" x 10"
- Interior Dimensions: 34" x 16"
- Bowl Depth: 10"
- Minimum Cabinet Size: 40"
- Optional Accessories: CB-S18121 Cutting Board



Product Information:

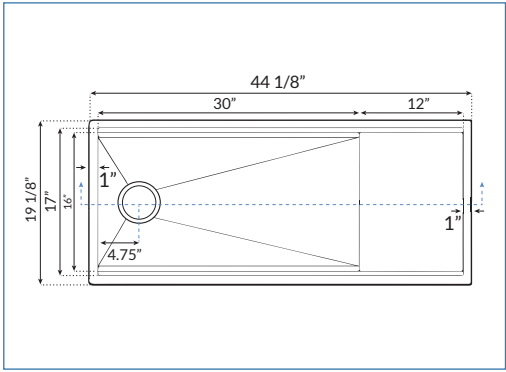
- **16 Gauge** laser welded corners
- **Material:** 304 Stainless Steel
- **Installation:** Undermount
- **Shape:** Rectangular
- **Bowl Type:** Single
- **Lux Accessory Package:** Included

Dimensions:

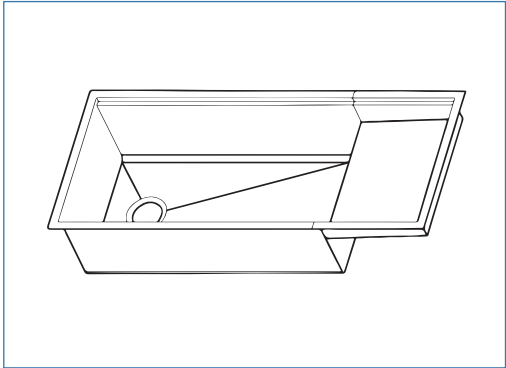
Actual dimensions may vary by 1/4".

- **Exterior Dimensions:** 36" x 20" x 10"
- **Interior Dimensions:** 34" x 16"
- **Bowl Depth:** 10"
- **Minimum Cabinet Size:** 40"
- **Optional Accessories:** CB-S18121 Cutting Board

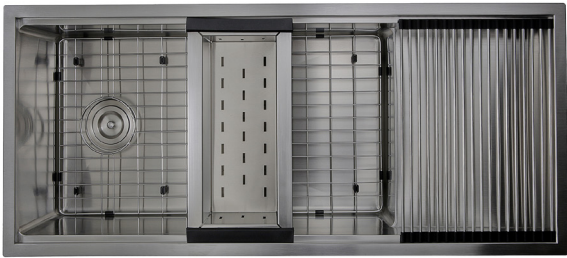
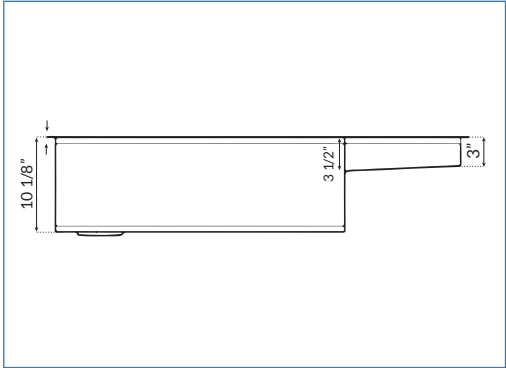
Top View



Side View



Front View



"Fully Reversible"

Product Information:

- 16 Gauge laser welded corners
- Material: 304 Stainless Steel
- Installation: Undermount
- Shape: Rectangular
- Bowl Type: Single
- Lux Accessory Package: Included

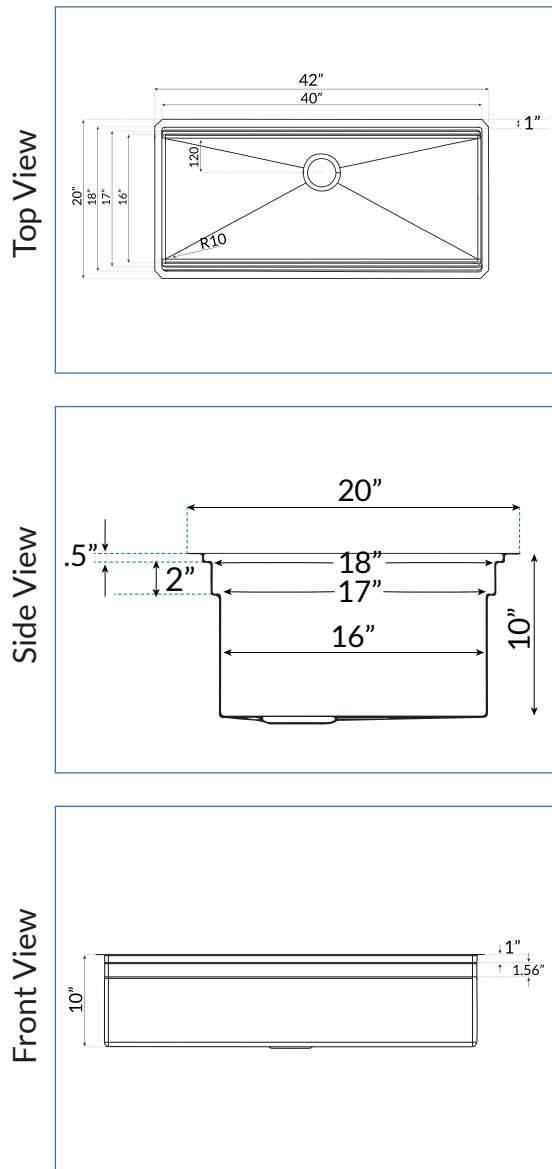
Dimensions:

Actual dimensions may vary by 1/4".

- Exterior Dimensions: 44" x 19" x 10"
- Interior Dimensions: 30" x 16"
- Bowl Depth: 10"
- Minimum Cabinet Size: 48"
- Optional Accessories: CB-S17121 Cutting Board

SMALLER RADIUS

SMALL RADIUS



Product Information:

- **16 Gauge** laser welded corners
- **Material:** 304 Stainless Steel
- **Installation:** Undermount
- **Shape:** Rectangular
- **Bowl Type:** Single
- **Lux Accessory Package:** Included

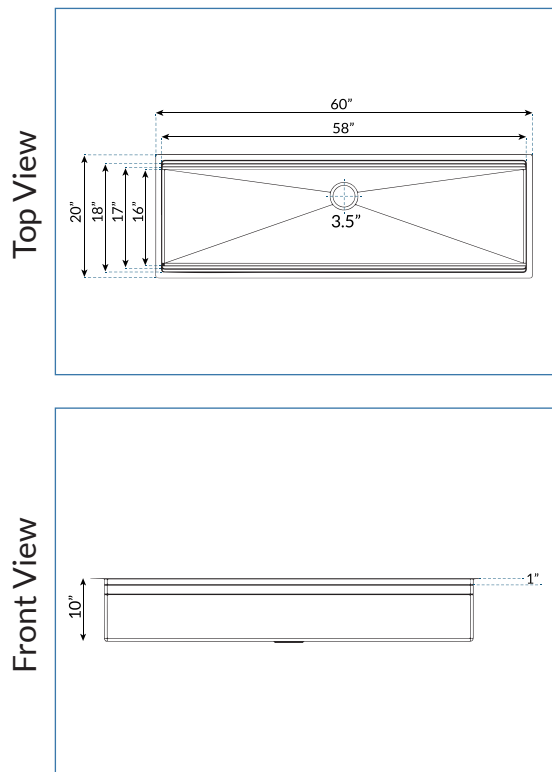
Dimensions:

Actual dimensions may vary by 1/4".

- **Exterior Dimensions:** 42" x 20"
- **Interior Dimensions:** 40" x 18"
- **Bowl Depth:** 10"
- **Minimum Cabinet Size:** 48"

– **Optional Accessories:** CB-S18121
Cutting Board





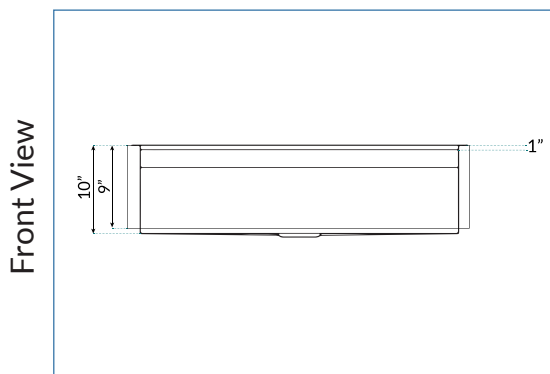
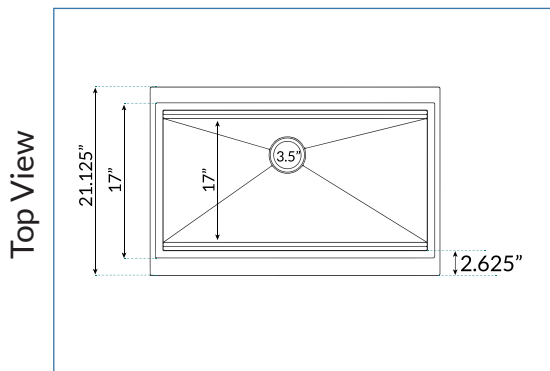
Product Information:

- **16 Gauge** laser welded corners
- **Material:** 304 Stainless Steel
- **Installation:** Undermount
- **Shape:** Rectangular
- **Bowl Type:** Single
- **Lux Accessory Package:** Included
- **Shipping:** LTL Only.

Dimensions:

Actual dimensions may vary by 1/4".

- **Exterior Dimensions:** 60" x 20" x 10"
- **Interior Dimensions:** 58" x 18"
- **Bowl Depth:** 10"
- **Minimum Cabinet Size:** 64"



APRON SINK

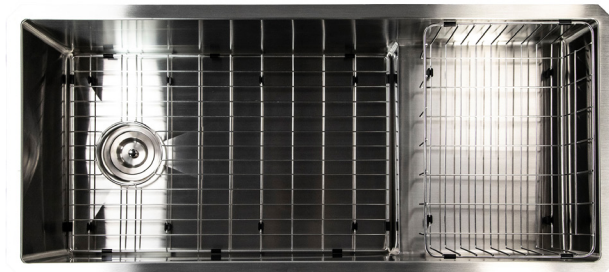
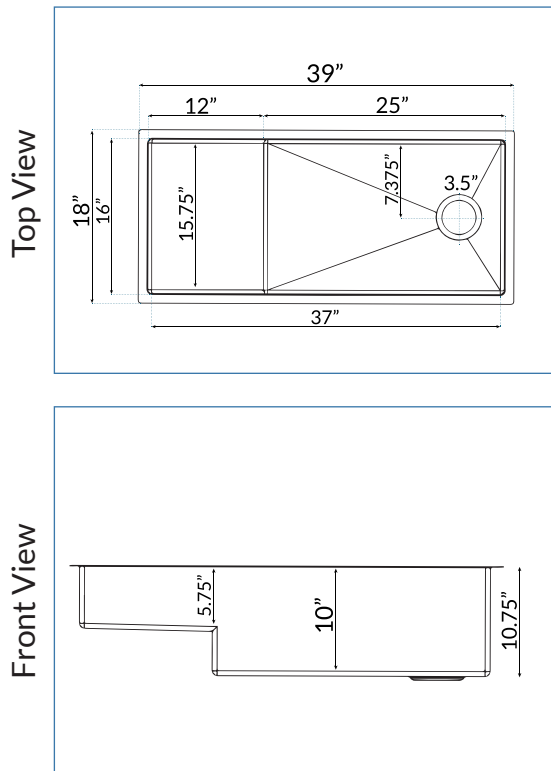
Product Information:

- 16 Gauge laser welded corners
- Material: 304 Stainless Steel
- Installation: Apron
- Shape: Rectangular
- Bowl Type: Single
- Lux Accessory Package: Included

Dimensions:

Actual dimensions may vary by 1/4".

- Exterior Dimensions: 32" x 21.125"
- Interior Dimensions: 30.125" x 17"
- Bowl Depth: 10"
- Minimum Cabinet Size: 36"



"Fully Reversible"

Product Information:

- **16 Gauge** laser welded corners
- **Material:** 304 Stainless Steel
- **Installation:** Undermount
- **Shape:** Rectangular
- **Bowl Type:** Single
- **Lux Accessory Package:** Included

Dimensions:

Actual dimensions may vary by 1/4".

- **Exterior Dimensions:** 39" x 18"
- **Interior Dimensions:** 37" x 16"
- **Bowl Depth:** 10"
- **Minimum Cabinet Size:** 43"
- **Optional Accessories:** CB-S-18121 Cutting Board



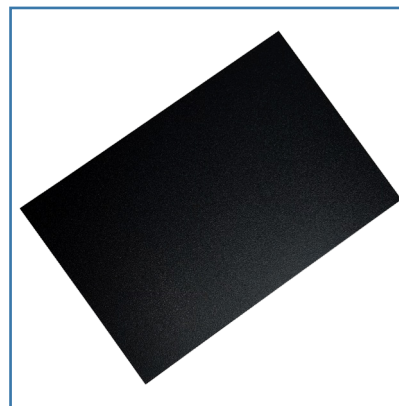
PS20B-RD3
Rectangular Board with Round Bowls



PS20B-RD1
Rectangular Board with Round Bowl/Colander



PS20B-REC5
Rectangular Board with Rectangular Bins



PS20B-CB1812
Rectangular Cutting Board



PS20B-REC3
Rectangular Board with Rectangular Bins



PS20B-REC2
Rectangular Board with Rectangular Bins

PREPSTATION ACCESSORIES



Functional Elegance

Nantucket Sinks | NantucketSinksUSA.com

V24.7